

Installation of LED strips

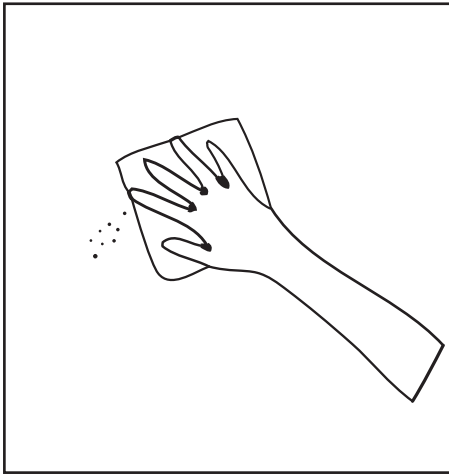
SINCE 1978



LEADING LIGHT

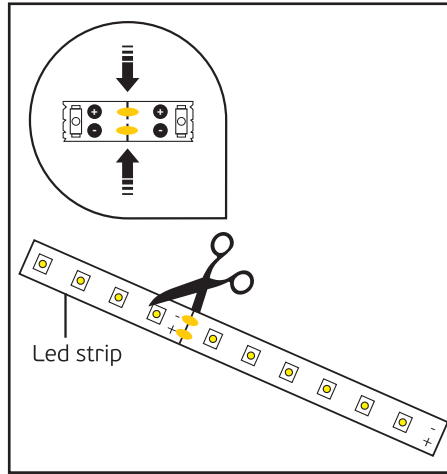


EN IP65.



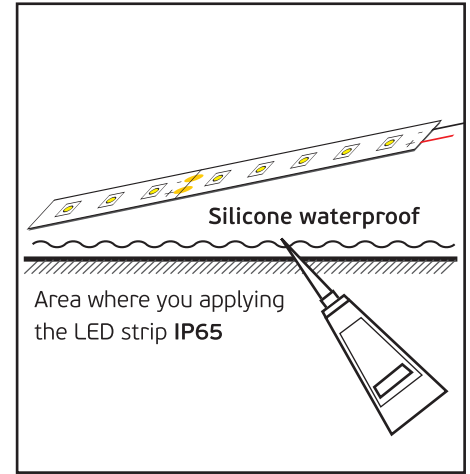
1. Clean

Remove any surface dust from the area where you will be applying the LED strip.



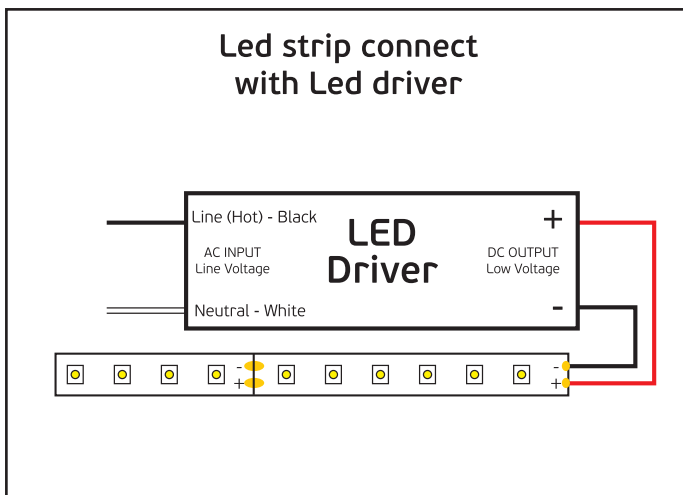
2. Cut to short sections

Cut along the LED strip wherever a dashed line divides two sets of positive and negative connection points.



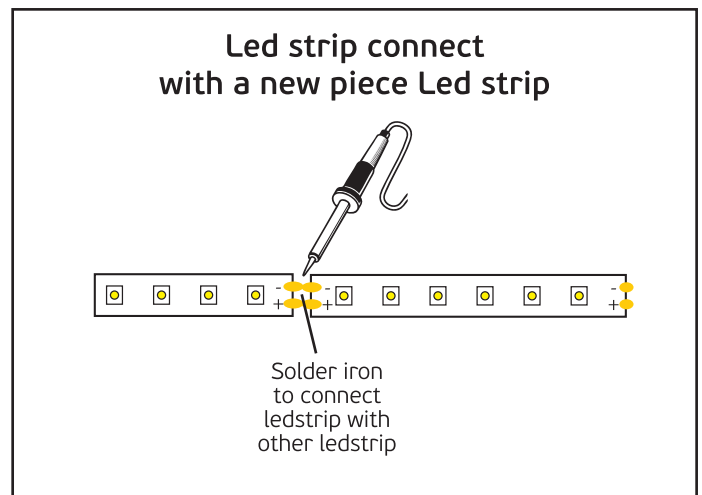
3. Stick

Before applying the LED strip, put silicone glue waterproof in the area you want. Leave for at least 8 hours to dry.



4a. Connect to driver

The LED strip connect to the appropriate driver.



4b. Connect to other piece of Led strip

Use solder iron to make a new connection or extend the led strip. The (+) and (-) are clearly marked on the LED strip.

Cautions

1. Make sure that the product is installed properly before connecting to electricity.
2. Do not bend, fold or twist the LED strip.
3. Do not bend to install in corners.
4. Do not put excessive pressure on surface of LED strip.
5. Do not cover LED strip with any materials in addition to the proposed covers.
6. Do not install in ambient temperatures below -40°C or exceeding 80°C .
7. The LED strip should not be exposed to direct sunlight and should be placed in the appropriate profile.
8. LED strips with different batch numbers may have slight variations in color consistency (CCT $\pm 150\text{K}$).
9. Maintenance and installation should only be carried out by a professional electrician.



VK Leading Light / Vaios I. Karakostas S.A. Imports - Exports Trade

A: 8 Aristotelous St, Tavros, 177 78 Athens, Greece T: +30 210 99 69 610-11, +30 210 34 58 072, +30 210 34 58 075 F: +30 210 99 58 374 E: info@vkleadinglight.gr W: vkleadinglight.gr