



# Installation

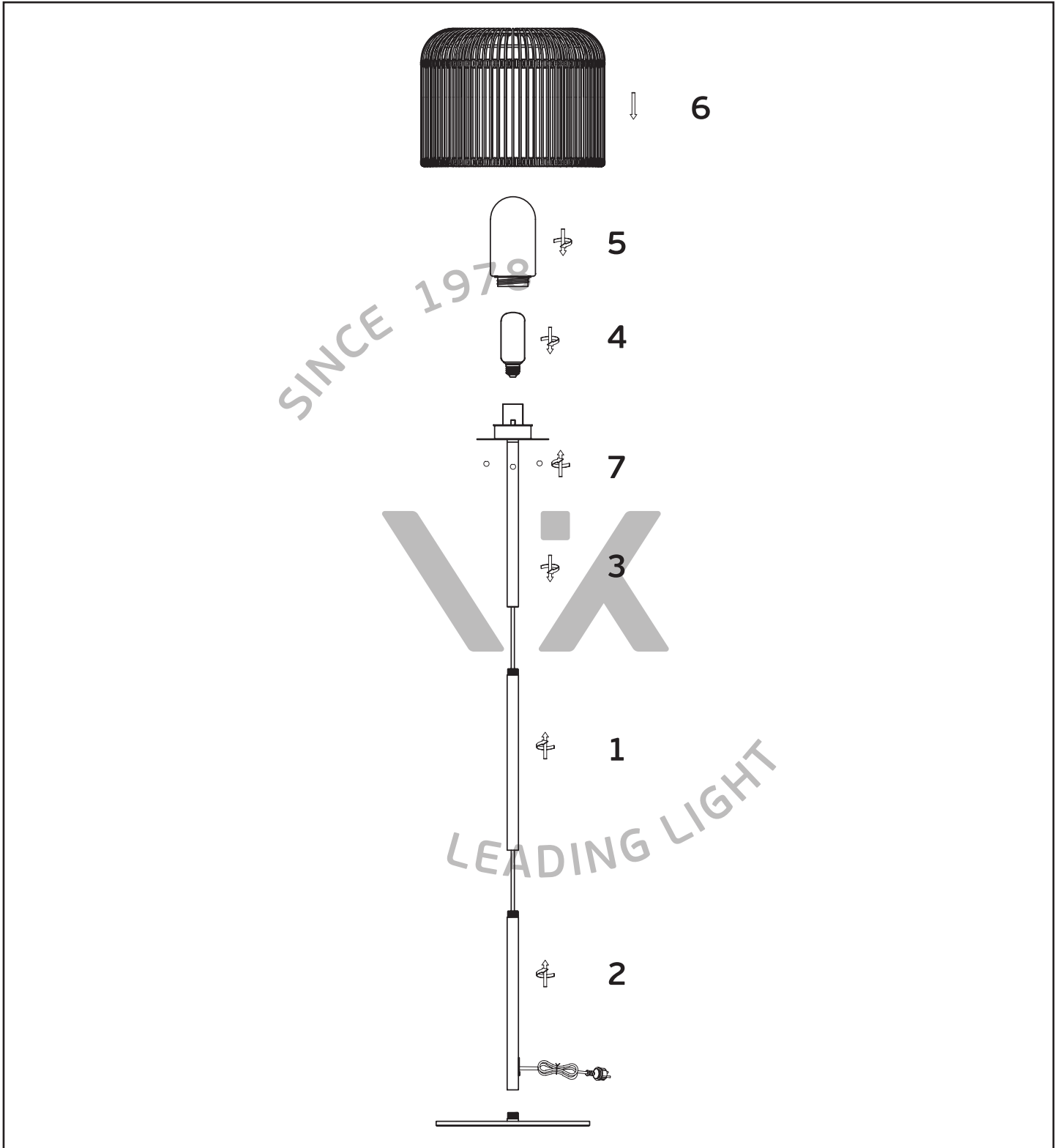
VK/01119/FL

SINCE 1978



LEADING LIGHT

**ATTENTION:** For this operation you have to cut off the power!



**VK Leading Light / Vaios I. Karakostas S.A. Imports - Exports Trade**

**A:** 8 Aristotelous St, Tavros, 177 78 Athens, Greece **T:** +30 210 99 69 610-11, +30 210 34 58 072, +30 210 34 58 075  
**F:** +30 210 99 58 374 **E:** info@vkleadinglight.gr **W:** vkleadinglight.gr