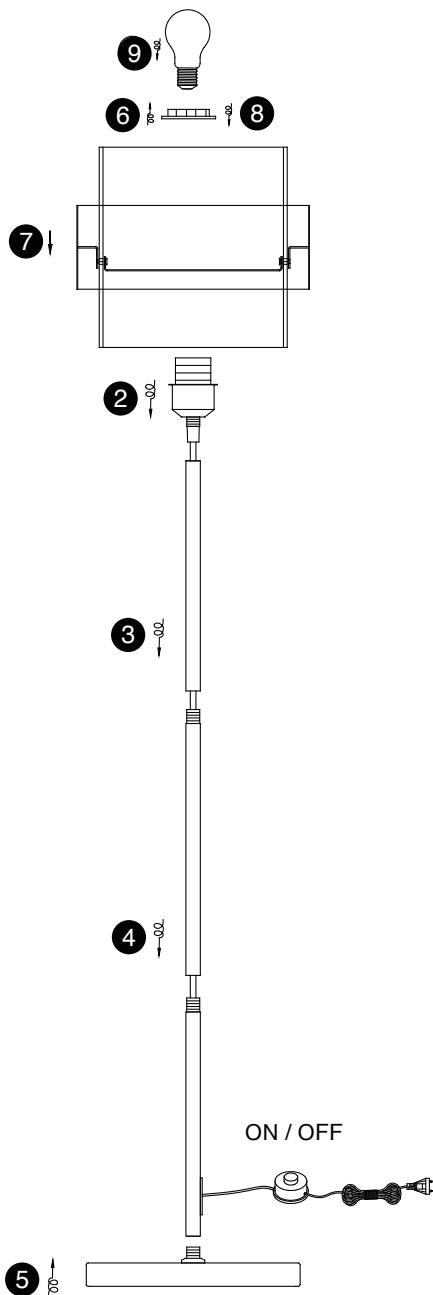


1



9

6

8

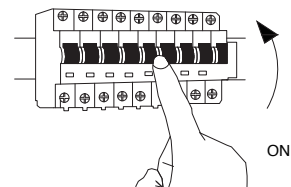
7

2

3

4

5



ON

10

1. Turn off the general switch
2. 3. 4. 5. Apply the pipes by rotating
6. Untight the cap
7. Apply the glass

8. Tight the cap
9. Apply the bulb
10. Turn on general switch